



BEAVER GRADE 70 LASHING CHAIN AND FITTINGS



Beaver Grade 70 Transport Chain and Fittings

Beaver Transport Chain and fittings are manufactured from heat treated carbon steel, in accordance with Australian/ New Zealand Standards AS/NZS 4344

- Transport Chain and Components are primarily used in lashing applications to tie down loads on transport equipment
- Beaver G70 Chain is high quality and has undergone stringent testing and quality control
- All Beaver G70 Chain and Fittings are clearly marked Grade 70 with lashing capacity "LC" and size of chain
- Beaver Chain Kits are supplied in convenient resealable poly buckets for immediate use and easy storage

▶ The yellow Di-chromate (gold) plating makes it easily recognisable even from a distance

Transport Chain Fittings Guidelines

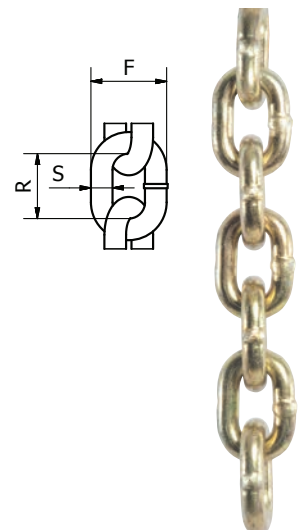
- ▶ Transport G70 Chain is NOT to be used for any lifting purpose
- ▶ Ensure your G70 Chain is marked showing capacity and Australian Standard for easy viewing confirmation of load size



Beaver Grade 70 Transport Chain

Zinc Di-chromate (Gold Finish) High Tensile – to AS/NZS 4344

Code	Lashing Capacity Tonnes	Size mm	S mm	R mm	F mm	Weight Per m	Finish	UOM	Metres Per 100 (Kg)
145006	2.3	6	6	18.5	20	0.8	Zinc Di-chromate	Metre	125
145007	3.0	7	7	22	24	1.1	Zinc Di-chromate	Metre	92
145008	3.8	8	8	24	28	1.43	Zinc Di-chromate	Metre	70
145010	6.0	10	10	30	35	2.23	Zinc Di-chromate	Metre	45
145013	9.0	13	13	39	45.5	3.75	Zinc Di-chromate	Metre	26.8



NOT TO BE USED FOR LIFTING

Metres per drum are subject to + or - 10% on actual metreage

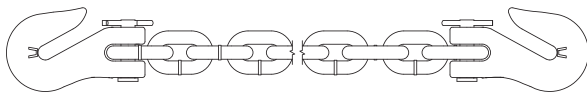
GRADE 70 LASHINGS & FITTINGS ARE NOT TO BE USED FOR LIFTING PURPOSES

* NOTE: The use of some grab hooks or systems incorporating grab hooks cause bending to occur on the link of lashing chain to which the grab hook is engaged. The bending and shearing effect of the hook reduces the strength of the chain by 25 percent and as such, the lashing capacity (LC) of this type of system must be reduced by 25 percent as prescribed in Australian Standard AS/NZS 4344

Beaver Grade 70 Load Chain Kit with Grab Hooks each end 6 metres of G70 chain

Zinc Di-chromate (Gold Finish) Complies to AS/NZS 4344

Code	Chain Size mm	Chain Length m	Chain Part Number	Grab Hook Part Number	Lashing Capacity Kg	Weight Kg	UOM
400603	6	6	145006	354006	2300	5.28	Each
409003	7.1	6	145007	354008	3000	7.3	Each
401003	8	6	145008	354008	3800	9.34	Each
406003	10	6	145010	354010	6000	14.32	Each



Beaver Grade 70 Load Chain Kit with Winged Grab Hooks* each end 9 metres of G70 chain

Zinc Di-chromate (Gold Finish) Complies to AS/NZS 4344

Code	Chain Size mm	Chain Length m	Chain Part Number	Grab Hook Part Number	Lashing Capacity Kg	Weight Kg	UOM
400903	6	9	145006	354006	2300	7.68	Each
411003	7.1	9	145007	354008	3000	10.57	Each
145128	8	9	145008	354008	3800	13.63	Each
408003	10	9	145010	354010	6000	20.98	Each



GRADE 70 LASHINGS & FITTINGS ARE NOT TO BE USED FOR LIFTING PURPOSES

* NOTE: The use of some grab hooks or systems incorporating grab hooks cause bending to occur on the link of lashing chain to which the grab hook is engaged. The bending and shearing effect of the hook reduces the strength of the chain by 25 percent and as such, the lashing capacity (LC) of this type of system must be reduced by 25 percent as prescribed in Australian Standard AS/NZS 4344

NOT APPROVED FOR LIFTING

BEAVER GRADE 70 LASHING CHAIN AND FITTINGS

Beaver Grade 70 Transport Chain with Claw Hooks each end 6 metres of G70 chain

Zinc Di-chromate (Gold Finish) Complies to AS/NZS 4344

Code	Chain Size mm	Chain Length m	Chain Part Number	Claw Hook Part Number	Lashing Capacity (Kg)	Weight (Kg)	UOM
401002	8	6	145008	352008	3800kg	9.68	Each
406002	10	6	145010	352010	6000kg	14.5	Each



Beaver Grade 70 Transport Chain with Claw Hooks each end 9 metres of G70 chain

Zinc Di-chromate (Gold Finish) Complies to AS/NZS 4344

Code	Chain Size mm	Chain Length m	Chain Part Number	Claw Hook Part Number	Lashing Capacity (Kg)	Weight (Kg)	UOM
411002	7.1	9	145007	352008	3000kg	10.91	Each
405002	8	9	145008	352008	3800kg	13.97	Each
408002	10	9	145010	352010	6000kg	21.16	Each



GRADE 70 LASHINGS & FITTINGS ARE NOT TO BE USED FOR LIFTING PURPOSES

* NOTE: The use of some grab hooks or systems incorporating grab hooks cause bending to occur on the link of lashing chain to which the grab hook is engaged. The bending and shearing effect of the hook reduces the strength of the chain by 25 percent and as such, the lashing capacity (LC) of this type of system must be reduced by 25 percent as prescribed in Australian Standard AS/NZS 4344

Beaver “Gold” Drag Chain Kit

Grade 70 Hi Tensile 5m Combo Kit c/w Lug Link, Slip Hook & Grab Hooks* & 5m of G70 chain.
Zinc Di-chromate (Gold Finish)

Code	Chain Size mm	Chain Length m	Chain Part Number	Grab Hook Part Number	Lug Link Part Number	Slip Hook Part Number	Lashing Capacity (Kg)	Weight (Kg)	UOM
412007	7.1	5	145007	354008	353008	356008	3000kg	6.69	Each
412008	8	5	145008	354008	353008	356008	3800kg	8.39	Each
412010	10	5	145010	354010	353010	356010	6000kg	12.8	Each
412013	13	5	145013	354013	353013	356013	9000kg	20.17	Each



Beaver “Gold” Drag Chain Kit

5m of Grade 70 Hi Tensile chain c/w Lug Link & Grab Hook*
Zinc Di-chromate (Gold Finish)

Code	Chain Size mm	Chain Length m	Chain Part Number	Grab Hook Part Number	Lug Link Part Number	Lashing Capacity (Kg)	Weight (Kg)	UOM
410007	7.1	5	145007	354008	353008	3000kg	6.33	Each
410008	8	5	145008	354008	353008	3800kg	8.03	Each
410010	10	5	145010	354010	353010	6000kg	12.2	Each
410013	13	5	145013	354013	353013	9000kg	20.78	Each



GRADE 70 LASHINGS & FITTINGS ARE NOT TO BE USED FOR LIFTING PURPOSES
* NOTE: The use of some grab hooks or systems incorporating grab hooks cause bending to occur on the link of lashing chain to which the grab hook is engaged. The bending and shearing effect of the hook reduces the strength of the chain by 25 percent and as such, the lashing capacity (LC) of this type of system must be reduced by 25 percent as prescribed in Australian Standard AS/NZS 4344

BEAVER GRADE 70 LASHING CHAIN AND FITTINGS

Beaver “Gold” Drag Chain Kit

5m of Grade 70 Hi Tensile chain c/w Lug Link & Slip Hook, Zinc Di-chromate (Gold Finish)

Code	Chain Size mm	Chain Length m	Chain Part Number	Slip Hook Part Number	Lug Link Part Number	Lashing Capacity (Kg)	Weight (Kg)	UOM
411007	7.1	5	145007	356008	353008	3000kg	6.31	Each
411008	8	5	145008	356008	353008	3800kg	8.01	Each
411010	10	5	145010	356010	353010	6000kg	12.3	Each
411013	13	5	145013	356013	353013	9000kg	21.26	Each

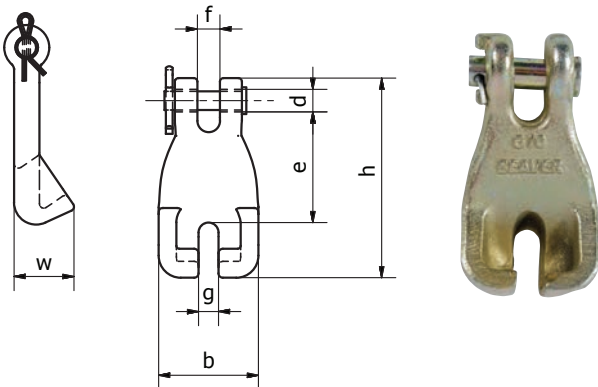


Beaver Clevis Claw Hooks

Grade 70 “Gold” Hi Tensile Fittings, Zinc Di-chromate (Gold Finish)

Complies to AS/NZS 4344

Code	Chain Size mm	f mm	d mm	e mm	h mm	g mm	b mm	w mm	Lashing Capacity (Kg)	Weight (Kg)	UOM
352008	7-8	12.5	10.2	40	88	9.5	47	32	3800kg	0.55	Each
352010	10	12.5	12.5	46	103	11.5	55	37.5	6000kg	0.59	Each



GRADE 70 LASHINGS & FITTINGS ARE NOT TO BE USED FOR LIFTING PURPOSES

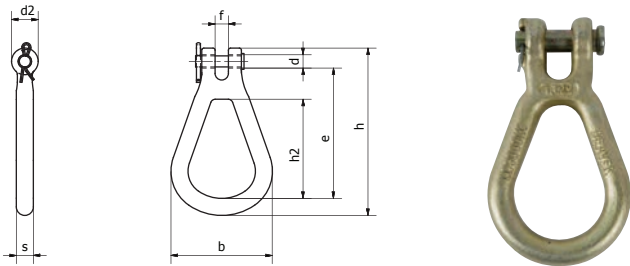
* NOTE: The use of some grab hooks or systems incorporating grab hooks cause bending to occur on the link of lashing chain to which the grab hook is engaged. The bending and shearing effect of the hook reduces the strength of the chain by 25 percent and as such, the lashing capacity (LC) of this type of system must be reduced by 25 percent as prescribed in Australian Standard AS/NZS 4344

Beaver Clevis Lug Links

Grade 70 "Gold" Hi Tensile Fittings, Zinc Di-chromate (Gold Finish)

Complies to AS/NZS 4344

Code	Chain Size mm	f mm	d mm	e mm	h mm	h2 mm	b mm	s mm	d2 mm	Lashing Capacity (Kg)	Weight (Kg)	UOM
353008	7-8	12.5	10	108.5	141.7	78	86.5	16.25	24	3800kg	0.5	Each
353010	10	12.5	12.5	107.25	141.7	78	86.5	16.25	24	6000kg	0.6	Each
353013	13	16.6	16	127.2	169	95.5	100.4	18.6	33	9000kg	1.5	Each

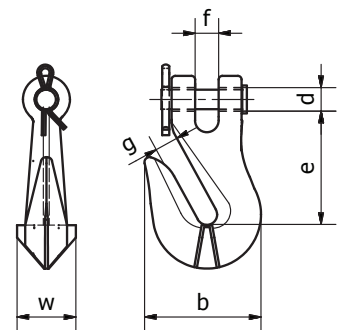


Beaver Clevis Grab Hooks* w/- Wings

Grade 70 "Gold" Hi Tensile Fittings, Zinc Di-chromate (Gold Finish)

Complies to AS/NZS 4344

Code	Chain Size mm	f mm	d mm	e mm	b mm	g mm	w mm	Lashing Capacity (Kg)	Weight (Kg)	UOM
354006	6	9.2	8.5	46.4	49	9.2	22	2300kg	0.24	Each
354008	7-8	10.4	10.5	49	57	10.5	28	3800kg	0.38	Each
354010	10	12.4	12.5	60.5	66.5	13.5	39	6000kg	0.5	Each
354013	13	19.5	16.5	84	88	18	39	9000kg	0.63	Each



GRADE 70 LASHINGS & FITTINGS ARE NOT TO BE USED FOR LIFTING PURPOSES

* NOTE: The use of some grab hooks or systems incorporating grab hooks cause bending to occur on the link of lashing chain to which the grab hook is engaged. The bending and shearing effect of the hook reduces the strength of the chain by 25 percent and as such, the lashing capacity (LC) of this type of system must be reduced by 25 percent as prescribed in Australian Standard AS/NZS 4344

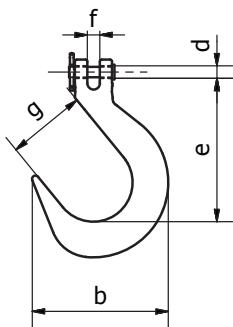
BEAVER GRADE 70 LASHING CHAIN AND FITTINGS

Beaver Clevis Slip Hooks

Grade 70 "Gold" Hi Tensile Fittings, Zinc Di-chromate (Gold Finish)

Complies to AS/NZS 4344

Code	Chain Size mm	f mm	d mm	e mm	b mm	g mm	Lashing Capacity (Kg)	Weight (Kg)	UOM
356006	6	9	7.8	63	69	19	2300kg	0.22	Each
356008	7-8	11	9.5	69	80	26	3800kg	0.36	Each
356010	10	12	12	79.5	90	33	6000kg	0.6	Each
356013	13	19	16.3	102	121.5	43	9000kg	1.19	Each



BEAVER SILVER ROPE

Beaver "Truckers" - Truckers Silver Lashing Rope To AS 4142.2

(3 Strand Polyethelene - Ultra-violet treated) Full Cartons Only

Z Twist, Medium Lay - White Coil with Black & Yellow External Tracer

Code	Size mm	Min breaking force kN	Coil Length	Hanks Per Carton
347010HC	10	9.26	10m	10
347010HD	10	9.26	12m	10
347012HD	12	12.4	12m	10



GRADE 70 LASHINGS & FITTINGS ARE NOT TO BE USED FOR LIFTING PURPOSES

* NOTE: The use of some grab hooks or systems incorporating grab hooks cause bending to occur on the link of lashing chain to which the grab hook is engaged. The bending and shearing effect of the hook reduces the strength of the chain by 25 percent and as such, the lashing capacity (LC) of this type of system must be reduced by 25 percent as prescribed in Australian Standard AS/NZS 4344

BEAVER GRADE 70 LOADBINDERS

Transport Loadbinders Guidelines

- Avoid injury – operate by hand only from a standing position
- Load binding systems store energy which can release suddenly, causing injury. Stay clear of handle, as it could suddenly release with force
- Routinely inspect loadbinders before using, for wear, bending, cracks and gouges. Do not use the loadbinder if any of the above are present and replace any damaged or defective loadbinders
- Use only the appropriate size and grade of chain with the loadbinder
- Do not use handle extensions (pipes or cheater bars) as they can overload and weaken the entire system
- Make sure loadbinders are tight before moving. Stop and recheck tightness frequently
- Never discard warning instructions. Keep them and share them with others using the loadbinder



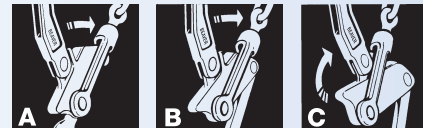
BX600

The Safety Release Handle makes this Loadbinder less dangerous than other lever style loadbinders on the market today.

The loadbinder design allows the user to release the loadbinder tension without any recoil of the handle, typical of a lever style loadbinder. The centre body of the loadbinder independently rotates, free of the handle to release the tension smoothly and easily.

This reduces the chance of injury from the handle swinging with substantial force when released.

Unique Cam Movement



A
The handle of the BX600 moves freely to the beginning of the release point.

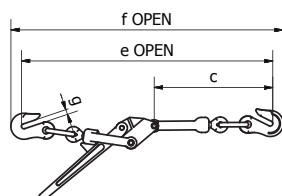
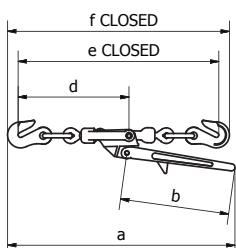
B
The body cam centre begins to rotate independently of the handle at this stage.

C
As the chain tension is released, the handle will remain almost in the same position.

Beaver Grade 70 Safety Release Lever BX600 type

Recoilless Loadbinders AS/NZS 4344

Code	Chain Size and Description	f Closed mm	e Closed mm	d mm	b mm	a mm	f Open mm	e Open mm	c mm	Lashing Capacity (Kg)	Weight (Kg)	UOM
344208	7-8mm c/w winged eye grab hooks	555	500	280	320	603	665	610	280	3800	4.4	Each
344210	10mm c/w winged eye grab hooks	663	595	335	390	703	773	705	335	6000	6.6	Each

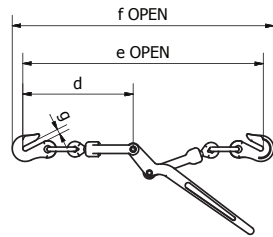
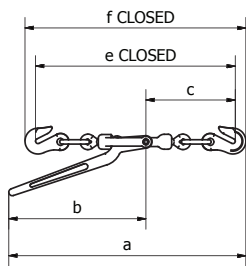


BEAVER GRADE 70 LOADBINDERS

Beaver Grade 70 Double Swivel (over centre loadbinder)

Lever Loadbinders (Forged) AS/NZS 4344

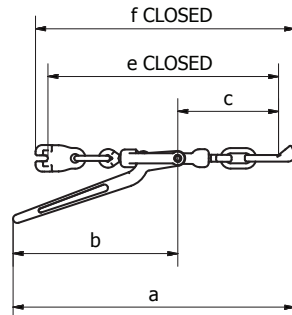
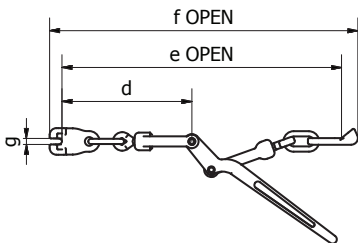
Code	Chain Size and Description	f Closed mm	e Closed mm	d mm	b mm	a mm	f Open mm	e Open mm	c mm	Lashing Capacity [Kg]	Weight [Kg]	UOM
345006A	6mm c/w winged eye grab hooks*	409	365	215	293	470	484	440	164	2300	1.68	Each
348000	7-8mm c/w winged eye grab hooks*	558	503	287	383	600	662	607	217	3800	3.7	Each
348010	10mm c/w winged eye grab hooks*	638	570	325	420	760	758	690	250	6000	5.7	Each
348013	13mm c/w winged eye grab hooks*	747	661	375	490	819	876	790	285	9000	10.5	Each



Beaver Grade 70 Double Swivel (over centre loadbinder)

Claw Lever Loadbinders (Forged) AS/NZS 4344

Code	Chain Size and Description	f Closed mm	e Closed mm	d mm	b mm	a mm	f Open mm	e Open mm	c mm	Lashing Capacity [Kg]	Weight [Kg]	UOM
348000EC	7-8mm c/w eye claw hooks	529	489	280	400	601	633	593	208	3800	3.9	Each



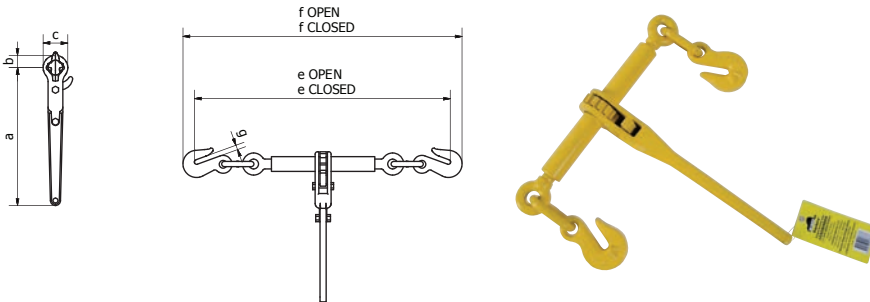
GRADE 70 LASHINGS & FITTINGS ARE NOT TO BE USED FOR LIFTING PURPOSES

* NOTE: The use of some grab hooks or systems incorporating grab hooks cause bending to occur on the link of lashing chain to which the grab hook is engaged. The bending and shearing effect of the hook reduces the strength of the chain by 25 percent and as such, the lashing capacity (LC) of this type of system must be reduced by 25 percent as prescribed in Australian Standard AS/NZS 4344

Beaver Grade 70 Ratchet type Loadbinders

Yellow Painted Finish – to AS/NZS 4344

Code	Chain Size and Description	f Closed mm	e Closed mm	g mm	b mm	a mm	f Open mm	e Open mm	c mm	Lashing Capacity (Kg)	Weight (Kg)	UOM
344006	6mm c/w winged eye grab hooks*	459	415	10	21	205	572	528	42	2300	1.69	Each
344008	7-8mm c/w winged eye grab hooks*	638	583	12.7	32.5	350	799	744	65	3800	4.7	Each
344010	10mm c/w winged eye grab hooks*	671	603	16.5	32.5	350	836	768	65	6000	5.1	Each
344013	13mm c/w winged eye grab hooks*	776	690	18.5	32.5	350	946	860	65	9000	7.18	Each



GRADE 70 LASHINGS & FITTINGS ARE NOT TO BE USED FOR LIFTING PURPOSES

* NOTE: The use of some grab hooks or systems incorporating grab hooks cause bending to occur on the link of lashing chain to which the grab hook is engaged. The bending and shearing effect of the hook reduces the strength of the chain by 25 percent and as such, the lashing capacity (LC) of this type of system must be reduced by 25 percent as prescribed in Australian Standard AS/NZS 4344

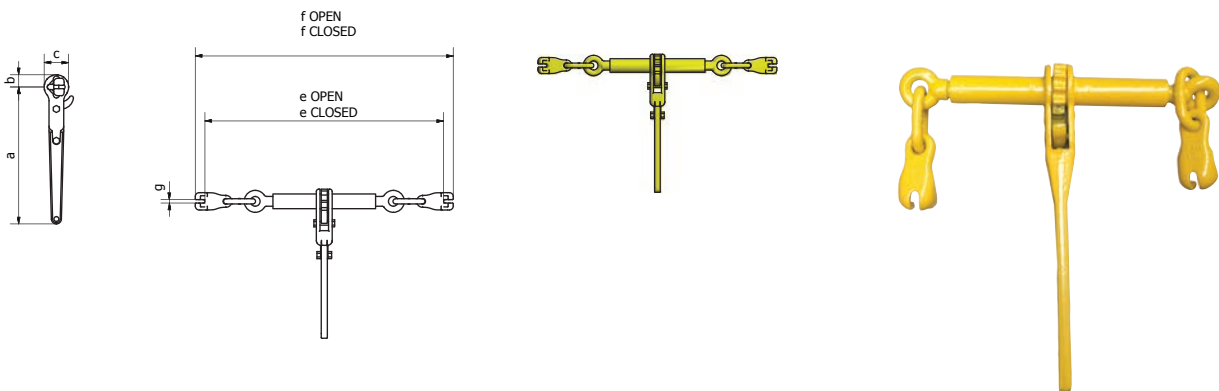
NOT APPROVED FOR LIFTING

BEAVER GRADE 70 LOADBINDERS (CONT'D)

Beaver Grade 70 Ratchet type Loadbinders c/w Eye Claw Hooks

Yellow Painted Finish – to AS/NZS 4344

Code	Chain Size and Description	f Closed mm	e Closed mm	d mm	b mm	a mm	f Open mm	e Open mm	c mm	Lashing Capacity (Kg)	Weight (Kg)	UOM
344108	7-8mm c/w eye claw hooks	667	609	9.5	32.5	355	831	773	65	3800	4.9	Each
344110	10mm c/w eye claw hooks	712	644	11.5	32.5	355	877	809	65	6000	5.3	Each

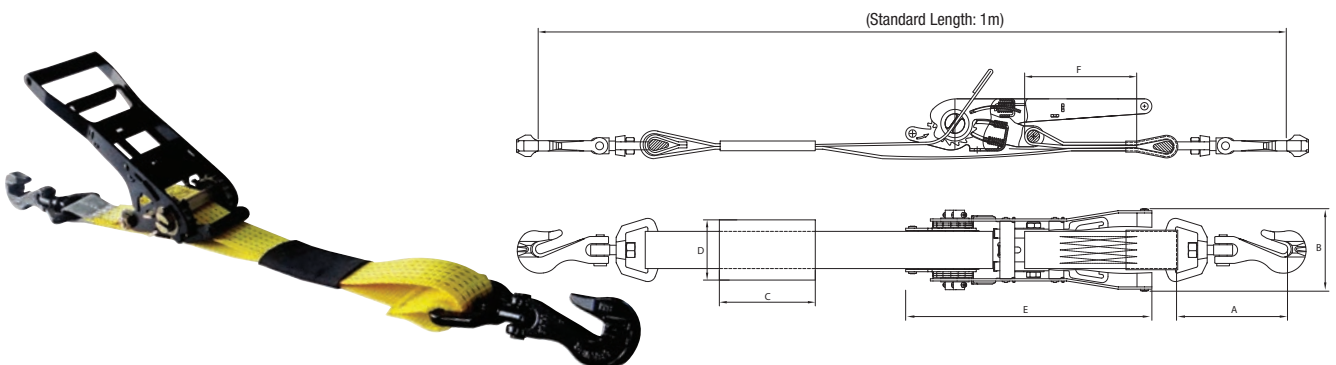


BEAVER GRADE 70 WEB DOG

Beaver Grade 70 Web – Dog

Complies to AS/NZS 4344 and AS/NZS 4380

Code	Chain Size and Description	A mm	B mm	C mm	D mm	E mm	F mm	Length m	LC (Kg)	Weight (Kg)	UOM
348000WF	50mm Ratchet assembly fitted with 8mm grab hooks* & 1m of 50mm heavy duty webbing	150	110	120	75	335	145	1	3800	3.8	Each



GRADE 70 LASHINGS & FITTINGS ARE **NOT APPROVED FOR LIFTING**

* NOTE: The use of some grab hooks or systems incorporating grab hooks cause bending to occur on the link of lashing chain to which the grab hook is engaged. The bending and shearing effect of the hook reduces the strength of the chain by 25 percent and as such, the lashing capacity (LC) of this type of system must be reduced by 25 percent as prescribed in Australian Standard AS/NZS 4344